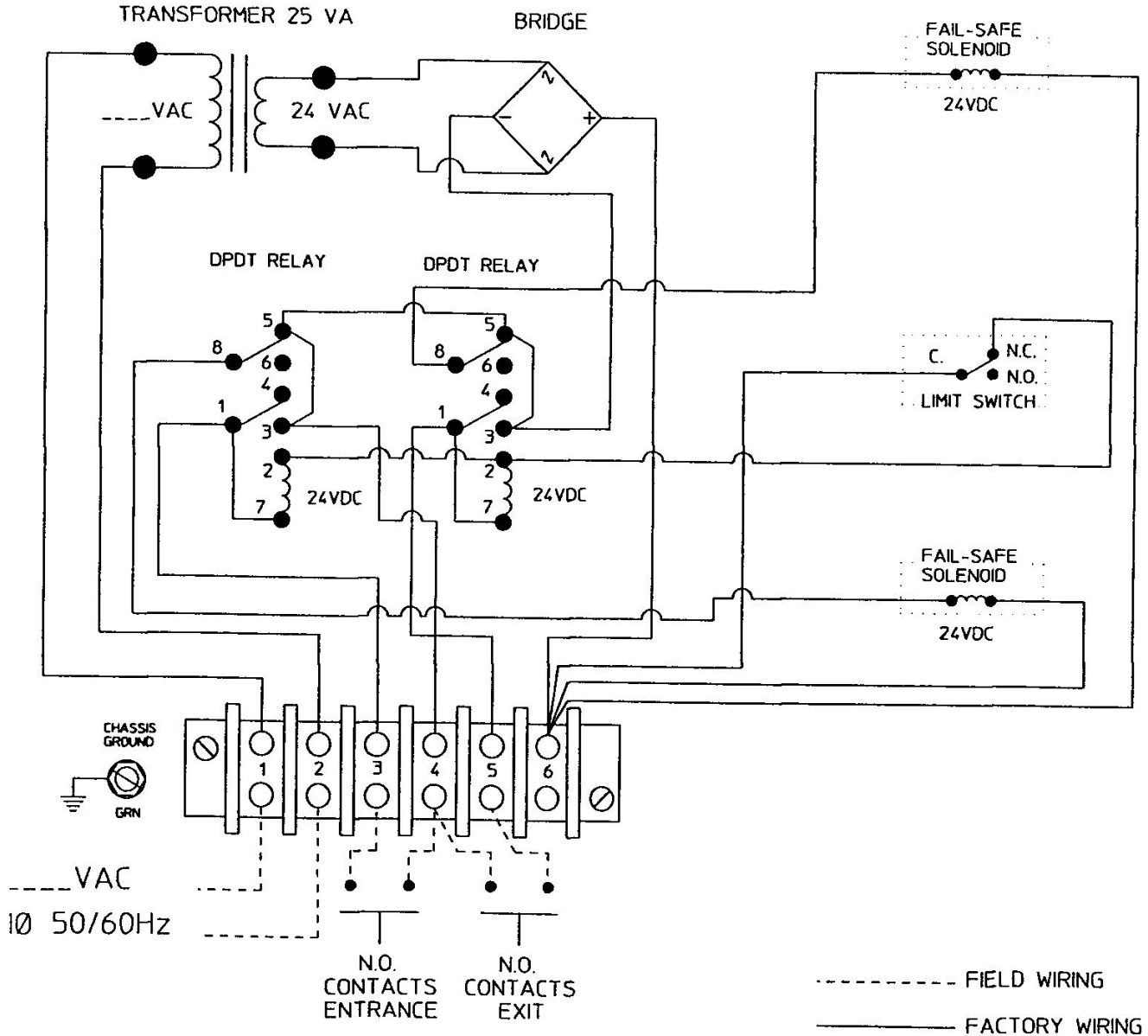


REVISIONS

REV	DESCRIPTION	BY	DATE
1	ADD GROUND SCREW REMOVED THREE WIRES FROM TERMINAL 6 AND CONNECT THEM WITH WIRE NUT.	GBF	09/23/98
2	REMOVED WIRE NUT & RE-ESTABLISH CONNECTION TO TERMINAL 6.	CLP	01/12/99

DRAWING NUMBER	70-750	REV	2
ECN NUMBER	98-145		

THESE DRAWINGS & SPECIFICATIONS ARE THE PROPERTY OF AND PROPRIETARY TO PHILIPS INDUSTRIES, INC. AND ARE NOT TO BE DISCLOSED, REPRODUCED, COPIED OR USED AS THE BASIS OF MANUFACTURE OR SALE OF APPARATUS AND/OR DEVICES, OR OTHERWISE WITHOUT PHILIPS' PRIOR WRITTEN CONSENT.



ALL DIMENSIONS ARE IN INCHES UNLESS SPECIFIED
TOLERANCE UNLESS SPECIFIED

0 0	± 0 060
0 00	± 0 030
0 000	± 0 015
0 0000	± 0 005
ANGULAR	± 0 5°

PHILIPS ACCESS CONTROL HARDWARE DIVISION
7041 ORCHARD, DEARBORN, MI. 48126

DRAWING TITLE: 120/240VAC 50/60HZ BI-DIRECTIONAL 24VDC FAIL SAFE CONTROL

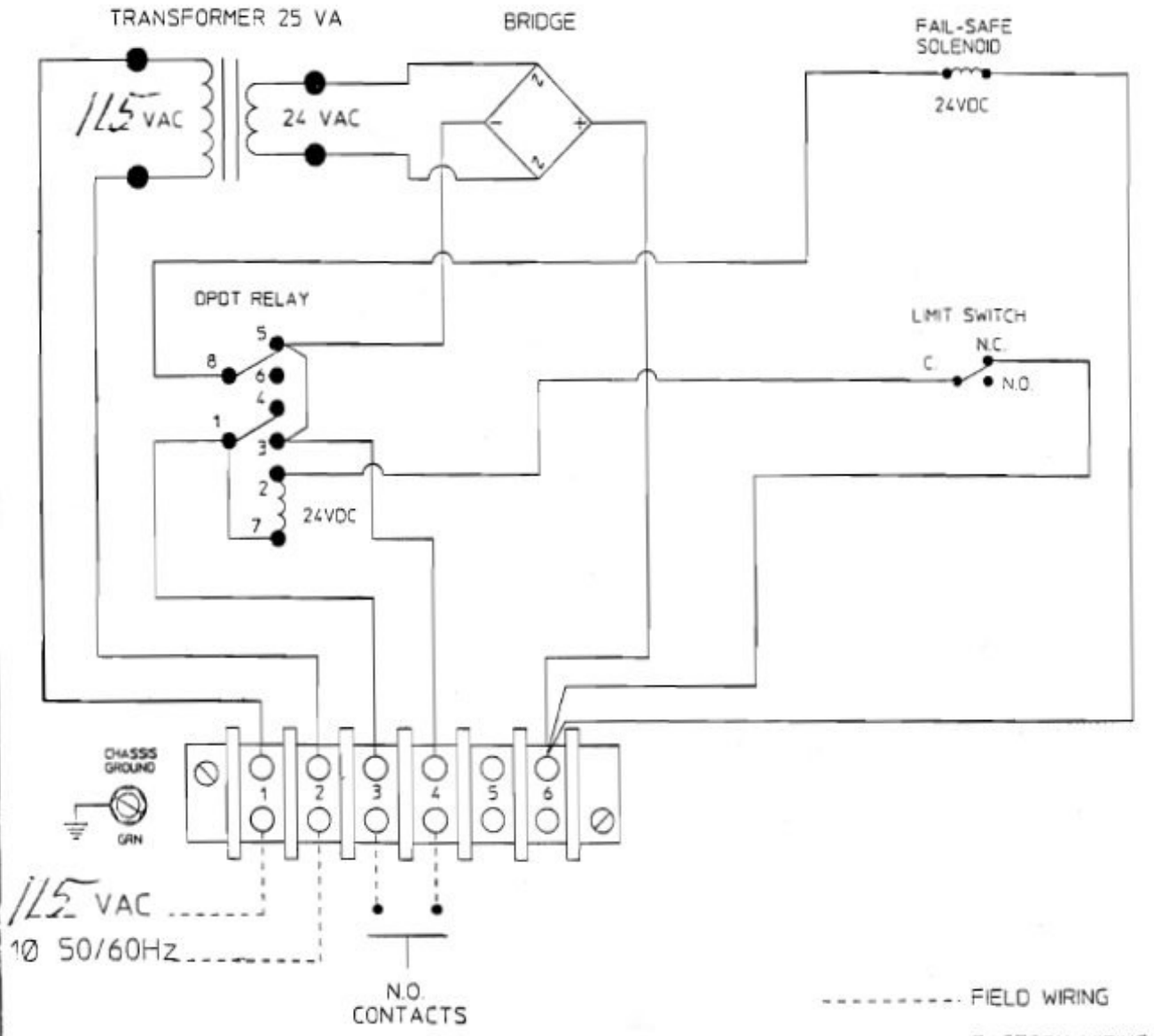
DRAWN BY/DATE	GBF 9/18/98	SIZE	A	MODEL	LT	DRAWING NUMBER	70-750	REV	2
CHECKED BY/DATE	GVB 9/21/98	SCALE	N/A	ASSEMBLY	N/A			SHEET	1 OF 1

REVISIONS

REV	DESCRIPTION	BY	DATE
1	GROUND SCHEM ADDED ADDED WIRE NUT TO TERMINAL 6	GBF	09/18/98
2	REMOVED WIRE NUT & RE-ESTABLISH CONNECTION TO TERMINAL 6	GBF	09/18/98

DRAWING NUMBER:	70-762	REV	2
ECN NUMBER:	98-145		

THIS DRAWING & SPECIFICATIONS ARE THE PROPERTY OF AND ACCORDING TO THE POLICY OF PHILIPS ACCESS CONTROL HARDWARE DIVISION AND ARE NOT TO BE REPRODUCED, COPIED OR USED IN ANY MANNER WITHOUT THE WRITTEN CONSENT OF PHILIPS ACCESS CONTROL HARDWARE DIVISION.



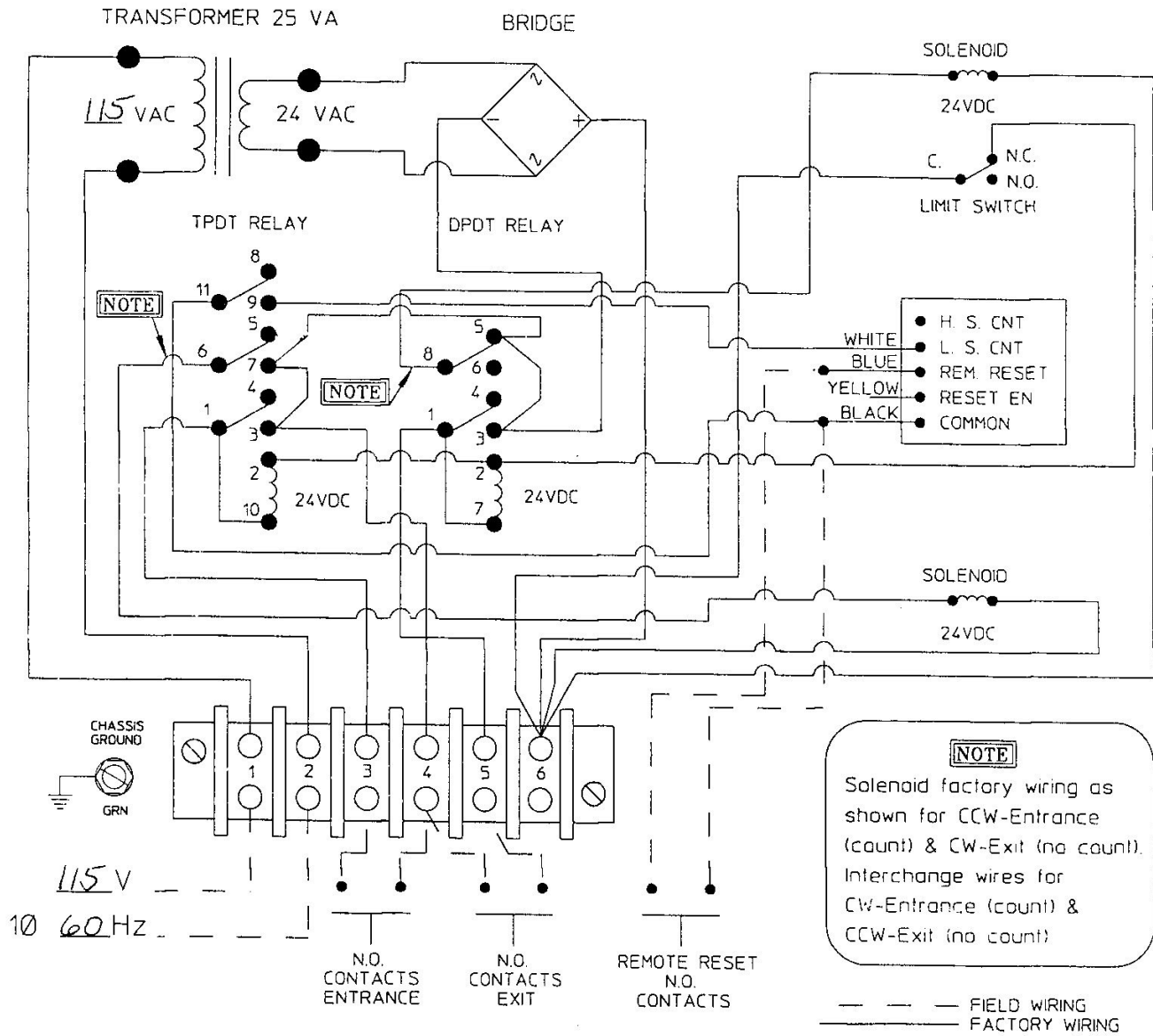
ALL DIMENSIONS ARE IN INCHES UNLESS SPECIFIED		PHILIPS ACCESS CONTROL HARDWARE DIVISION 7041 ORCHARD, DEARBORN, MI. 48126					
TOLERANCE UNLESS SPECIFIED							
0.0	: 0.060	DRAWING TITLE: 120/240VAC 50/60HZ SINGLE DIRECTION 24VDC FAIL SAFE CONTROL					
0.00	: 0.030						
0.000	: 0.015						
0.0000	: 0.005						
ANGULAR	: 0.5°						
DRAWN BY/DATE	GBF 9/18/98	SIZE MODEL	LT	DRAWING NUMBER	70-762	REV	2
CHECKED BY/DATE	GVB 9/21/98	SCALE	N/A	ASSEMBLY	N/A	SHEET	1 OF 1

REVISIONS

REV	DESCRIPTION	BY	DATE
1	ADD GROUND SCREW. CHANGE TERMINAL STRIP SIX TO EIGHT.	GBF	09/24/98
	ADD TWIST CAP AND MOVED WIRES FROM TERMINAL SIX TO CAP.		
2	ADDED NOTE RE: WIRING FOR COUNTER VS DIRECTION	GVB	12/10/98

DRAWING NUMBER:	70-985	REV:	2
ECN NUMBER:	98-136		

THESE DRAWINGS & SPECIFICATIONS ARE THE PROPERTY OF AND PROPRIETARY TO PHILIPS INDUSTRIES, INC. AND ARE NOT TO BE DISCLOSED, REPRODUCED, COPIED OR USED AS THE BASIS OF MANUFACTURE OR SALE OF APPARATUS AND/OR DEVICES, OR OTHERWISE WITHOUT PHILIPS' PRIOR WRITTEN CONSENT.



ALL DIMENSIONS ARE IN INCHES UNLESS SPECIFIED

TOLERANCE UNLESS SPECIFIED

0.0	± 0.060
0.00	± 0.030
0.000	± 0.015
0.0000	± 0.005
ANGULAR	± 0.5°

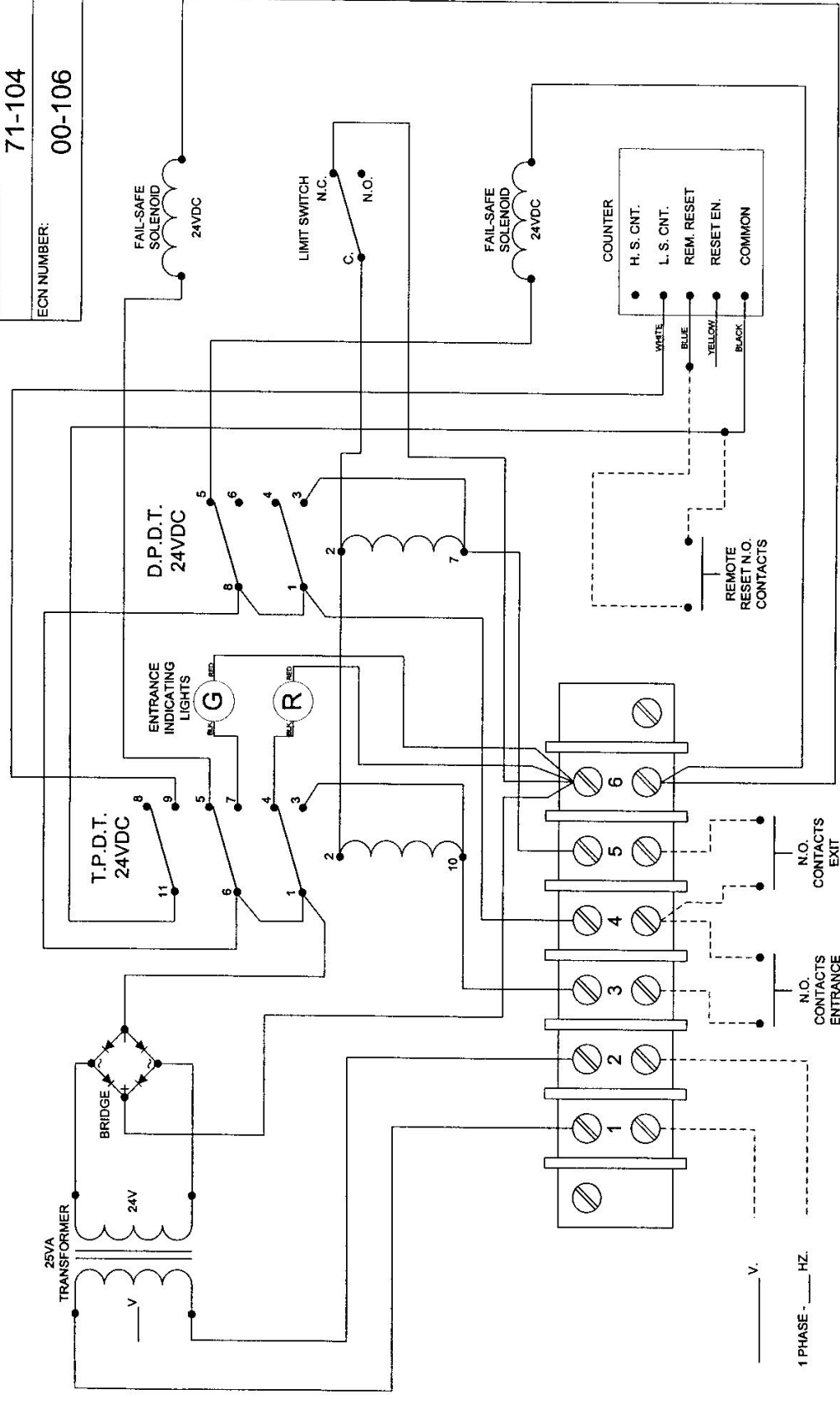


PHILIPS ACCESS CONTROL HARDWARE DIVISION
7041 ORCHARD, DEARBORN, MI. 48126

DRAWING TITLE:
24 VDC FAIL-SAFE/ Fail-Lock
W/COUNTER

DRAWN BY/DATE: GBF 9/9/97
CHECKED BY/DATE: MAV 9/9/97

SIZE: A	MODEL: LT	DRAWING NUMBER: 70-985X	REV: 2
SCALE: N/A	ASSEMBLY: N/A	SHEET: 1 OF 1	



FACTORY WIRING
 FIELD WIRING



ACCESS CONTROL HARDWARE DIVISION
 7041 ORCHARD, DEARBORN, MI. 48126

DRAWING TITLE:
 115/230V - 24VDC - FAIL-SAFE w/COUNTER
 & RED & GREEN LIGHTS FOR ENTRANCE

SIZE: A	MODEL: LT	DRAWING NUMBER: 71-104	REV: 0
SCALE: N/A	ASSEMBLY	SHEET: 1 OF 1	

ALL DIMENSIONS ARE IN INCHES UNLESS SPECIFIED	
TOLERANCE UNLESS SPECIFIED	
0.0 ± 0.060	
0.00 ± 0.030	
0.000 ± 0.015	
0.0000 ± 0.005	
ANGULAR ± 0.5°	
DRAWN BY/DATE: GLS 06/19/2000	
CHECKED BY/DATE: CLG 06/19/2000	

REV. #	DESCRIPTION	BY	DATE

THESE DRAWINGS & SPECIFICATIONS ARE THE PROPERTY OF AND PROPRIETARY TO PHILIPS INDUSTRIES. NO PARTS MAY BE REPRODUCED OR TRANSMITTED IN ANY FORM OR BY ANY MEANS, WITHOUT PHILIPS' PRIOR WRITTEN CONSENT.