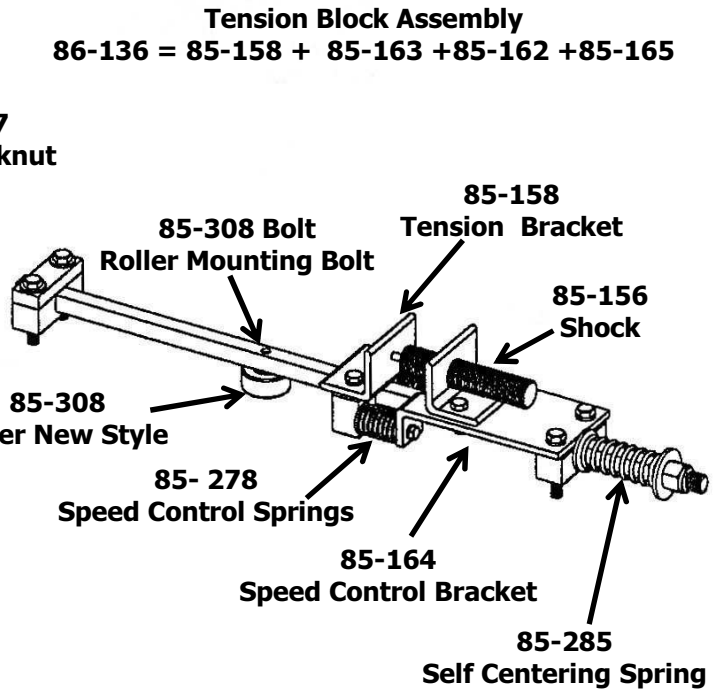
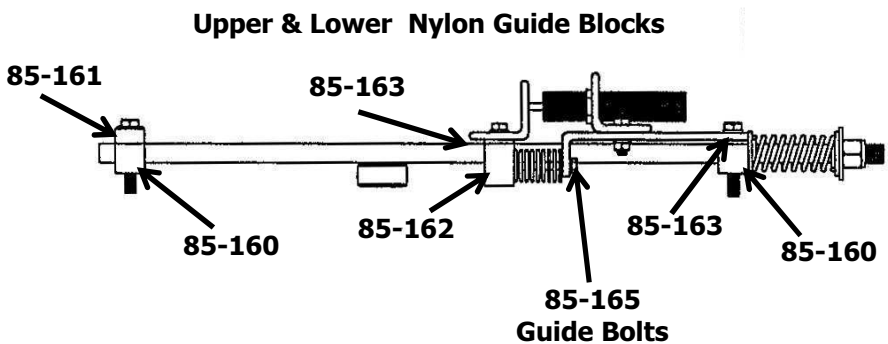


Plunger Bar Assembly (New)
86-177 = 85-322 + 85-308 + 85-308 Bolt



Speed Control Assembly
86-125 = 85-157 + 85-164 + 85-163 + 85-160



Upper & Lower Nylon Guide Blocks

Tension Block Assembly
86-136 = 85-158 + 85-163 + 85-162 + 85-165

REVISIONS			
REV.	DESCRIPTION	BY	DATE

XIS Controls

ALL DIMENSIONS ARE IN INCHES UNLESS SPECIFIED	
TOLERANCE UNLESS SPECIFIED	
0.0	± 0.060
0.00	± 0.030
0.000	± 0.015
0.0000	± 0.005
ANGULAR	± 0.5°
DRAWN BY/DATE: DMK 07/13/94	
CHECKED BY/DATE: JAK 07/13/94	

BURLE		ACCESS CONTROL HARDWARE DIVISION 7041 ORCHARD, DEARBORN, MI. 48126	
DRAWING TITLE: SELF-CENTER MECHANISM ASSEMBLY - ST 3*			
SIZE: MODEL:	B ST	DRAWING NUMBER:	86-123
			REV: 0
SCALE: 1:4	CAGE OBMR4	SHEET: 1 OF 2	

THESE DRAWINGS AND SPECIFICATIONS ARE THE PROPERTY OF AND PROPRIETARY TO BURLE INDUSTRIES, INC. AND ARE NOT TO BE DISCLOSED, REPRODUCED, COPIED OR USED AS THE BASIS OF MANUFACTURE OR SALE OF APPARATUS AND/OR DEVICES, OR OTHERWISE WITHOUT BURLE'S PRIOR WRITTEN CONSENT.